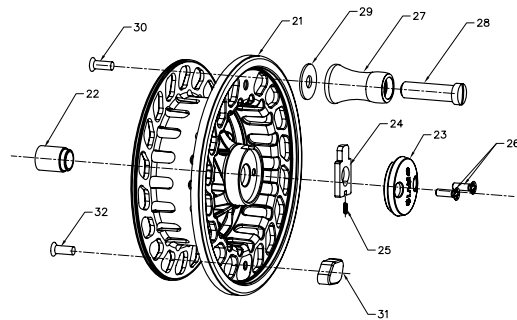


- 1 Frame
- 2 Main Shaft Nut
- 3 Pressure Plate
- 4 Drag Washer
- 5 Friction Plate
- 6 Main Shaft
- 7 O-ring
- 8 Push Pin
- 9 Push Plate
- 10 O-Ring

- 11 Drag Knob
- 12 Drag Knob Clicker
- 13 Clicker Spring
- 14 Clicker Spring
- 15 Spindle Clicker
- 16 Clicker Spring
- 17 Drag Spindle
- 18 Clutch Bearing
- 19 Keyed Bush
- 20 Clicker Plate



- 21 Spool
- 22 Spool Bush
- 23 Spool Cap
- 24 Spool Retainer
- 25 Retainer Spring
- 26 Spool Cap Screw
- 27 Handle Knob
- 28 Handle Shaft
- 29 Handle Washer
- 30 Handle Shaft Screw

- 31 Counter Weight
- 32 Counter Weight Screw
- 33 Foot
- 34 Foot Screw

# ORVIS®

## CLEARWATER LARGE ARBOR

## INTRODUCTION

Finally, a large arbor that's lightweight enough to balance properly with your favorite rod. Two years in design and development and with a powerful disc drag that can hold its own with high-performance machined reels.

- Large arbor spool design
- Inline disc drag
- Easily converted to either left- or right-hand retrieve
- Positive click drag knob for consistent settings every time
- Offered in two sizes – II (4-6wt lines) & IV (7-9wt lines)

## DRAG OPERATION

The Clearwater Large Arbor features a dependable center line drag system. To adjust the drag, turn the knob (FIGURE 1) clockwise to increase resistance, and counterclockwise to decrease it. The minimum drag setting should never be less than the pressure required to prevent over-running of the line on fast runs. Additional drag may be applied by palming the spool rim with your fingers or palm. The easy drag adjustment is infinitely variable, providing wide-ranging and controllable settings.



FIGURE 1

## SPOOL REMOVAL

The spool release is located in the middle of the reel spool. To remove, depress the spool release latch while simultaneously lifting the spool out of the reel body.

## RIGHT-HAND CONVERSION

Clearwater Large Arbor Reels have the drag factory installed for left-hand wind (FIGURE 2). To change your reel to right-hand wind, remove spool, pull the keyed bush and clicker plate assembly (PART #19 & #20) off the spindle. Flip the clutch bearing (PART #18) and reassemble.

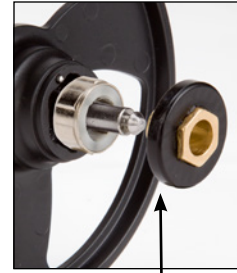


FIGURE 2 (PART #19 & #20)

## ROUTINE MAINTENANCE

Your new Clearwater Large Arbor reel has been properly lubricated prior to shipping. However, it should be cleaned and lubricated after extensive use or after contact with dirt or sand. Your reel should receive routine cleaning and maintenance at least twice each year. Lightly lubricate all moving components—handle, center spindle, and gear shaft with Penn reel lube, which is available in tackle shops. Do not put the reel away wet, or into a wet reel case or tackle box. For extended storage, remove both line and backing and loosen the drag.

## CLEARWATER LARGE ARBOR

### CAPACITY CHART

LINE WEIGHT	II	IV
WF4	125	
WF5	100	
WF6	75	
WF8		225
WF9		200
WF8		175

## Clearwater Large Arbor Fly Reel Specifications

II Reel | weight: 5.4 oz. | 3½"

IV Reel | weight: 6.1 oz. | 3¾"

## Capacity in Yards

All capacities are quoted using 20-lb. Dacron® backing.

## GUARANTEE

Your Clearwater Large Arbor Reel is unconditionally guaranteed against defects in materials and workmanship. Damaged reels can be repaired on an individual basis for a reasonable fee, and we do offer a reel cleaning and reconditioning service.

Visit [orvis.com/reelrepair](http://orvis.com/reelrepair) for more information.

## QUESTIONS?

If you have any questions about the operation and maintenance of your new reel, Orvis Technical Advisors are always available.

E-mail: [info@orvis.com](mailto:info@orvis.com) Phone: 1-800-778-4778



TOGETHER, WE PROTECT WHAT WE LOVE  
ORVIS COMMITS 5% OF PRE-TAX  
PROFITS TO PROTECTING NATURE.  
[orvis.com/5percent](http://orvis.com/5percent)

THE ORVIS COMPANY | [ORVIS.COM/FLYFISHING](http://ORVIS.COM/FLYFISHING)

MADE IN CHINA  
7018